

SUBJECT/PROJECT: <b>ScanPartner 620C (000-0238A-xx)</b> <b>SERVICE PARTS TABLE</b>						DOC. NO.: 011-1133-5	
						REV. NO.: 1.0	
						PAGE NO.: 1 / 5	
ITEM	DESCRIPTION	AVISION P/N	Rev.	ACCEPT ORDER QUANTITY		ECR NO.	AFR
1	ADF ROLLER	057-0071-0-SP	1.0	1		OM01019	0.3
2	FEED ROLLER	088-0002-01-SP	1.0	2			0.3
3	ADF COVER ASSEMBLY	003-0161-0-SP	1.0	1			0.1
4	SNAP-IN PAD ASSEMBLY	003-0162-0-SP	3.0	1			0.2
5	WHITE SHEET ( ADF 225.5x14mm )	066-0100-0-SP	1.0	1			0.1
6	ASS'Y, ADF: ADF III+	002-1143-0-SP	3.0	1			0.2
7	CALIBRATION SHEET ( F/B 12x260mm )	061-0011-0-SP	1.0	1			0.1
8	PAPER OUTPUT CHUTE MODULE	003-0021-0-SP	1.0	1			0.2
9	INPUT PAPER CHUTE MODULE	003-5077-0-SP	1.0	1			0.2
10	DOCUMENT COVER MODULE	003-5201-0-SP	2.0	1			0.2
11	HINGE UNIT (RIGHT)	003-0016-0-SP	1.0	1			0.2
12	HINGE UNIT (LEFT)	003-0015-0-SP	1.0	1			0.2
13	UPPER HOUSING MODULE SP620C	003-5207-0-SP	1.0	1			0.2
14	ADF CABLE	104-0147-0-SP	1.0	1			0.2
15	SHIPPING RETAINER	055-0001-0-SP	1.0	1			0.1
16	LED DISPLAY BOARD (LB01 PCBA)	004-0007-0-SP	1.0	1			0.2
17	LED CABLE	104-0143-0-SP	1.0	1			0.2
18	MAIN BOARD ASS'Y, MB138	002-1145-0-SP	1.0	1			0.4
19	BOTTOM HOUSING ASS'Y	002-0740-0-SP	1.0	1			0.1
20	OPTICAL ASS'Y	002-0734-0-SP	1.0	1			0.2
20-1	INVERTER & LAMP ASSEMBLY	002-0735-0-SP	1.0	1			0.2
20-1-1	CCFL ASSEMBLY	003-5204-0-SP	2.0	1			0.2

SUBJECT/PROJECT:						DOC. NO.: 011-1133-5	
<b>ScanPartner 620C (000-0238A-xx)</b>						REV. NO.: 1.0	
<b>SERVICE PARTS TABLE</b>						PAGE NO.: 2 / 5	
ITEM	DESCRIPTION	AVISION P/N	Rev.	ACCEPT ORDER QUANTITY	ECR NO.	AFR	
20-1-2	CCFL INVERTER UNIT	003-0211-0-SP	3.0	1		0.2	
20-2	FFC CABLE	104-0047-0-SP	1.0	1		0.2	
21	MOTOR MODULE	002-0737-0-SP	1.0	1		0.1	
22	IDLER PULLEY MODULE	003-0019-0-SP	2.0	1		0.1	
A	AC POWER CORD 125V (UL)	104-0080-0	1.0	1		0.2	
A-1	AC POWER CORD: CEE, 2-PIN, 2.5A/250V, 1.8m	104-0079-0	1.0	1		0.2	
*	AC POWER CORD(AUS): 2-PIN, 2.5A/250V, 1.8m	104-0078-0	1.0	1		0.2	
*	AC POWER CORD: (UK), 3-PIN, 2.5A/250V, 1.8m	104-0077-0	1.0	1		0.2	
B	SCSI Cable 50-25P (Optional)	104-0031-0	1.0	1		0.1	
C	ADAPTOR (IEC-2PIN): 24V/2.0A(60W), 100-240V,(USA)	003-0260-0	2.0	1		0.2	
C-1	ADAPTOR(IEC-2PIN): 24V/2.0A(60W), 100-240V (CEE UK AUS)	003-0294-0	1.0	1		0.2	
D	PACK ASSEMBLY	003-0124-01	2.0	1		0.2	
E	CARTON (ScanPartner 620C)	073-0546-0	2.0	1		0.2	
F	SHIPPING RETAINER REMOVAL CARD	255-0380-0	2.0	1		0.1	
G	ScanRight Kit	003-2158-0	5.0	1		0.1	
G-1	Registration card	255-0254-0	1.0	1		0.1	
G-2	Getting started guide	251-0169-0	1.0	1		0.1	
G-3	SCSI CARD 2902E	003-0254-0	1.0	1		0.2	
H	S/W CD Package	003-2223-0	1.0	1		0.1	
H-1	CD #1 - ScanPartner Installtion CD 15C/620C	256-0071-0	2.0	1		0.1	
H-2	CD # 2 - Scansoft Pagis Pro 3	256-0101-0	1.0	1		0.1	
H-3	CD # 3 - TMS ScanFix V4.2	256-0102-0	1.0	1		0.1	
H-4	CD : Driver, (CEE/UK/AUS)	006-0174-0	1.0	1		0.1	

\* OPTION

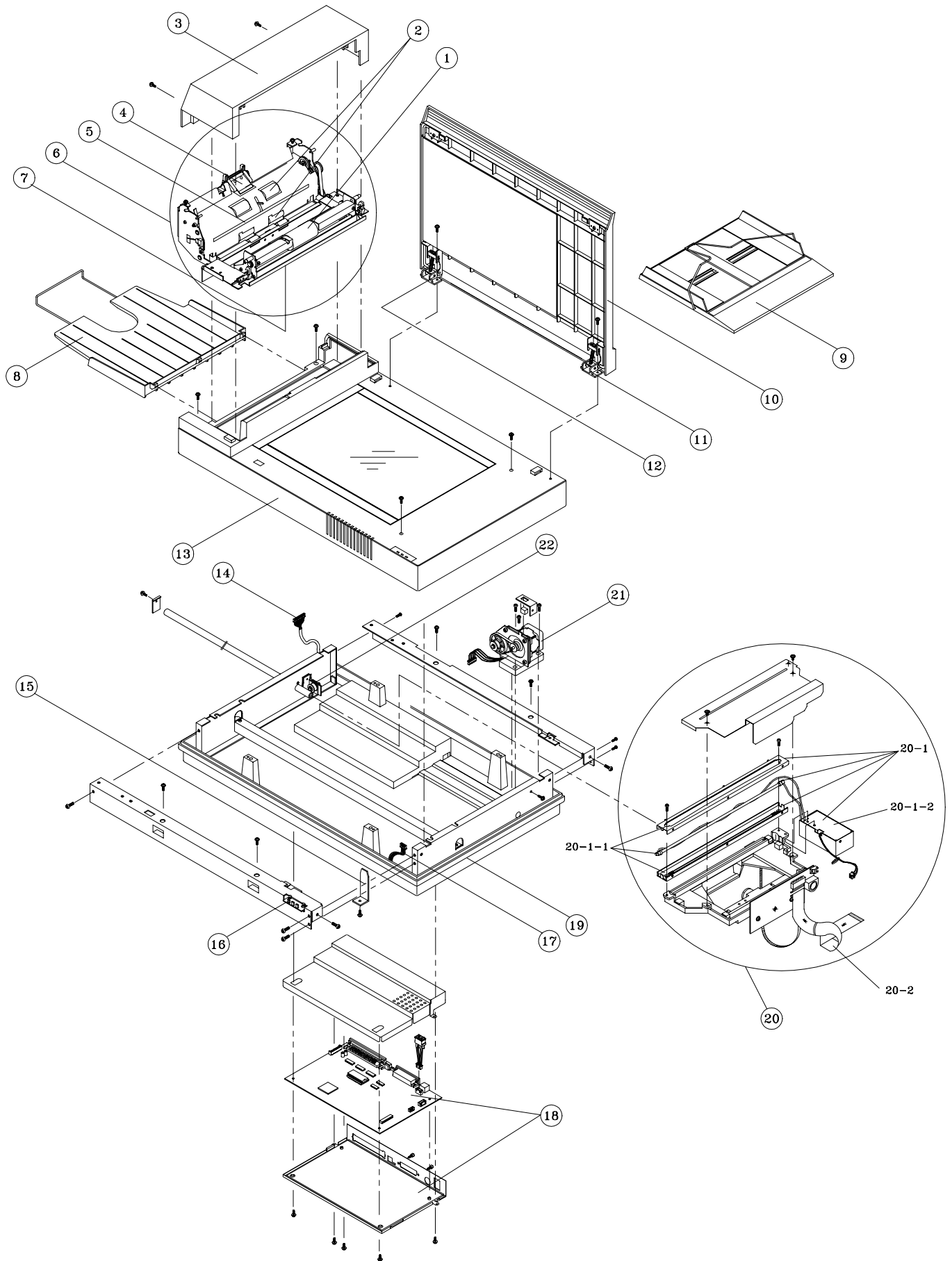
SUBJECT / PROJECT:

SP620C (000-0238A-xx)  
 SPARE PARTS TABLE

DOC. NO.: 011-1133-5

REV. NO.: 1.0

PAGE NO.: 3/5



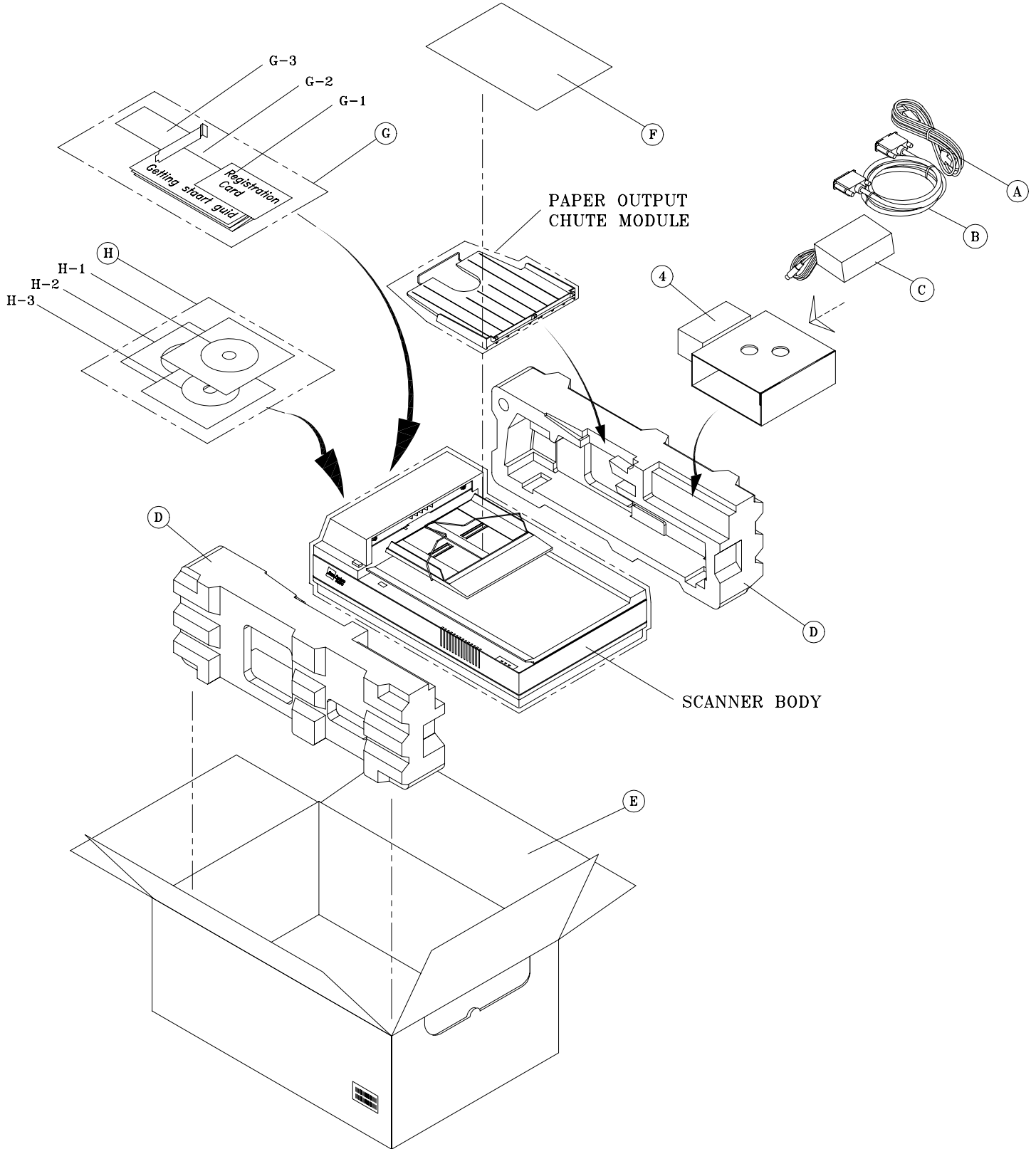
SUBJECT / PROJECT:

SP620C (000-0238A-01)  
SPARE PARTS TABLE

DOC. NO.: 011-1133-5

REV. NO.: 1.0

PAGE NO.: 4/5



SUBJECT / PROJECT: SP620C (000-0238A-02 03 04 07)  
SPARE PARTS TABLE

DOC. NO.: 011-1133-5

REV. NO.: 1.0

PAGE NO.: 5/5

